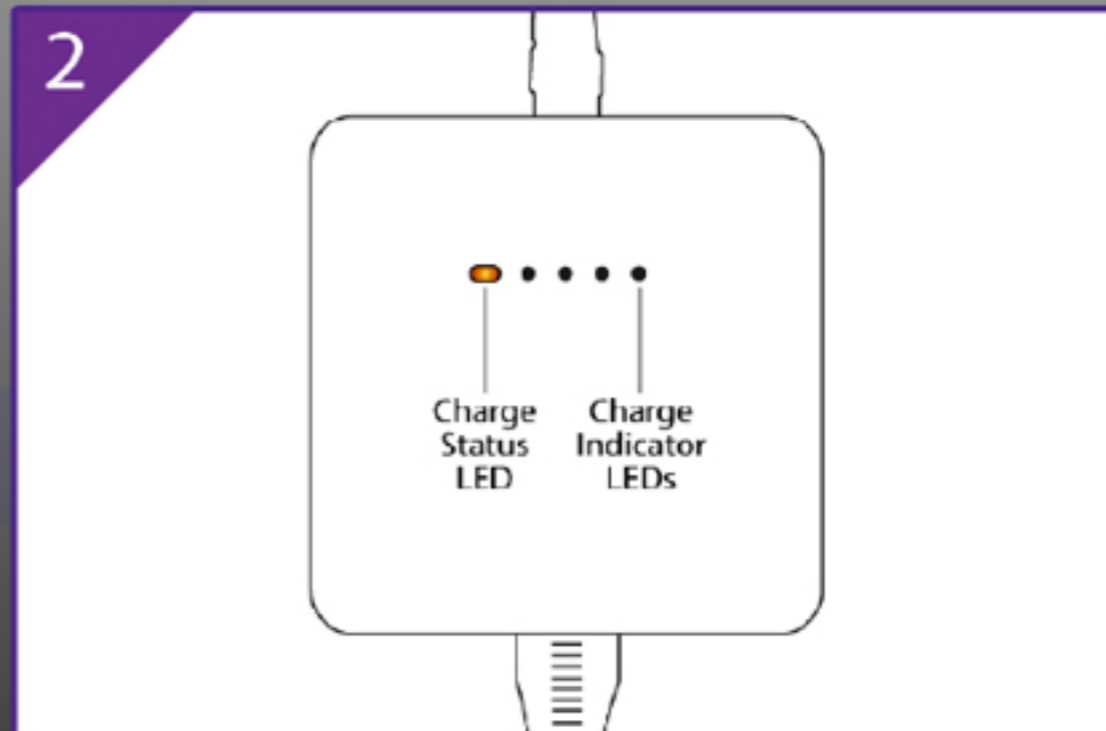
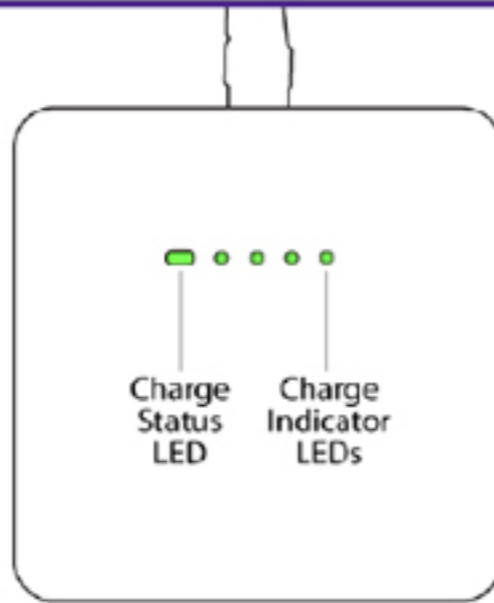


1 Before you begin, compare the voltage on your battery (most Apple laptops have 10.8V batteries¹) with the output voltage of the U-Charge as printed on its label: they must match². Once the voltage match is confirmed, place your battery face down (label side facing up) on a flat surface and horizontally attach the 6-pin³ battery connector cable directly to the battery terminals. Make sure that all pins are connected & in contact with the battery terminals. Do NOT attach the battery connector cable vertically as this will reverse the polarity & damage your battery.



2 When the U-Charge is plugged in & receiving power (and your laptop battery is connected properly), its charge status LED will glow red to indicate that the battery is charging. In addition, the charge indicator LEDs on the battery will flash in sequence from left to right as the battery charges⁴. When the battery is fully charged, the status LED will change color from red to green and the charge indicator LEDs on the battery will stop flashing. The charge indicator LEDs on the U-Charge will NOT flash or light up in sequence when the battery is charging.

3



In addition to being a portable battery charger, the U-Charge can also be used as a battery tester. The battery charge indicator LEDs, which are similar to those found on Apple batteries, can independently indicate the charge status and level, even when the battery has lost its calibration or the lights are not functioning. To test a battery's charge level, unplug the U-Charge from the AC mains & attach the battery connector cable directly to the battery- the charge indicator LEDs will light up & display battery capacity.